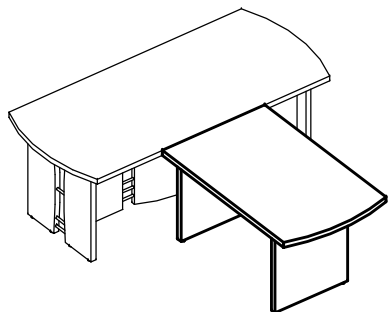
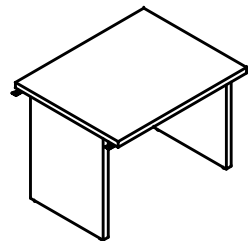
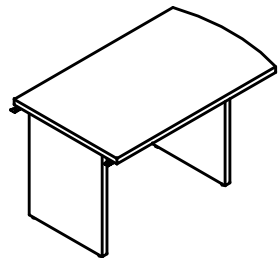
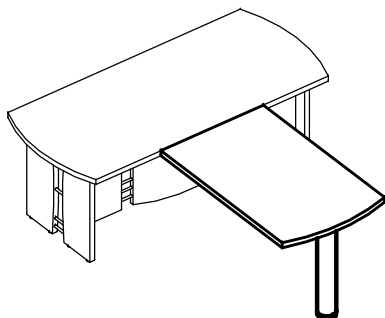
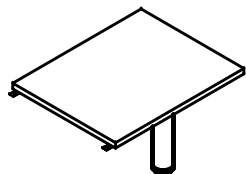
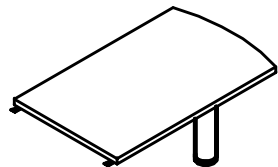


I

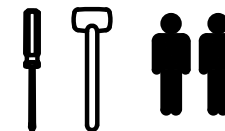


II

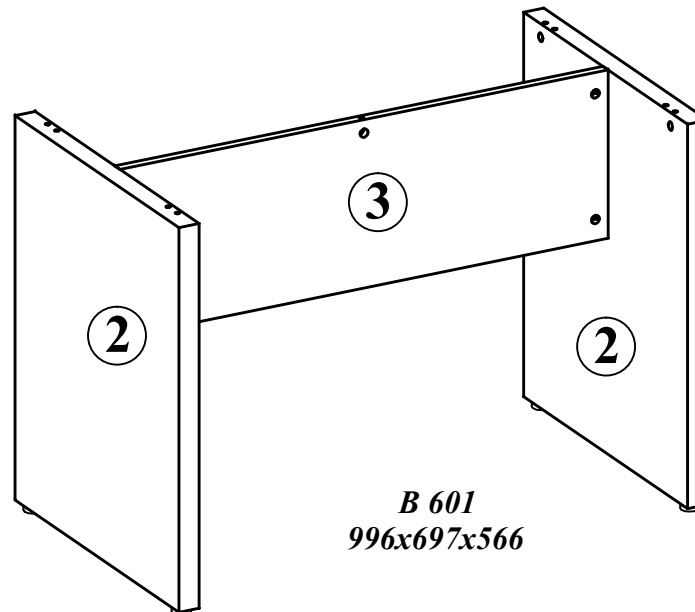


B 302; B 304; B 305; B 601

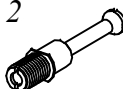

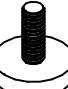
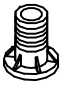
ERC

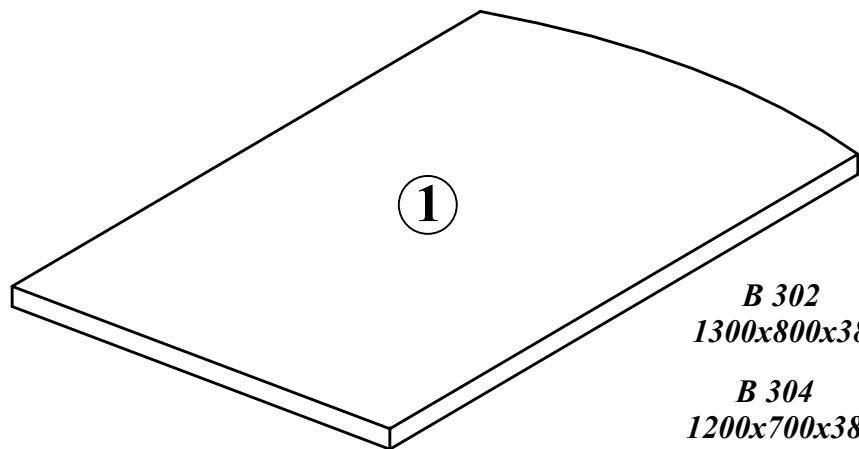


B 601



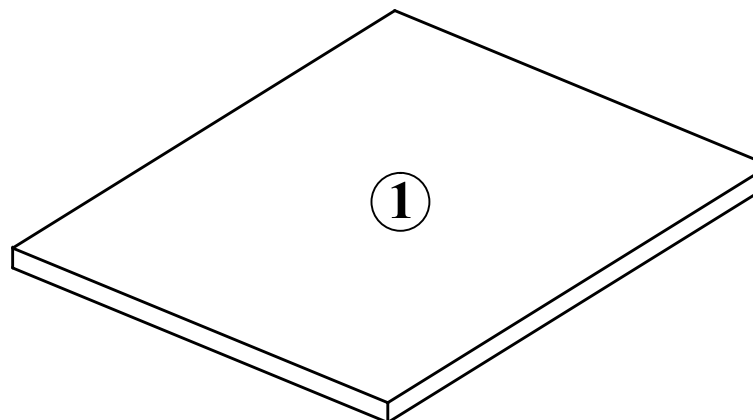
B 601
996x697x566

1		x8
2		x9
3		x9
4		x9
5		x4
6		x4





B 302
1300x800x38

B 304
1200x700x38

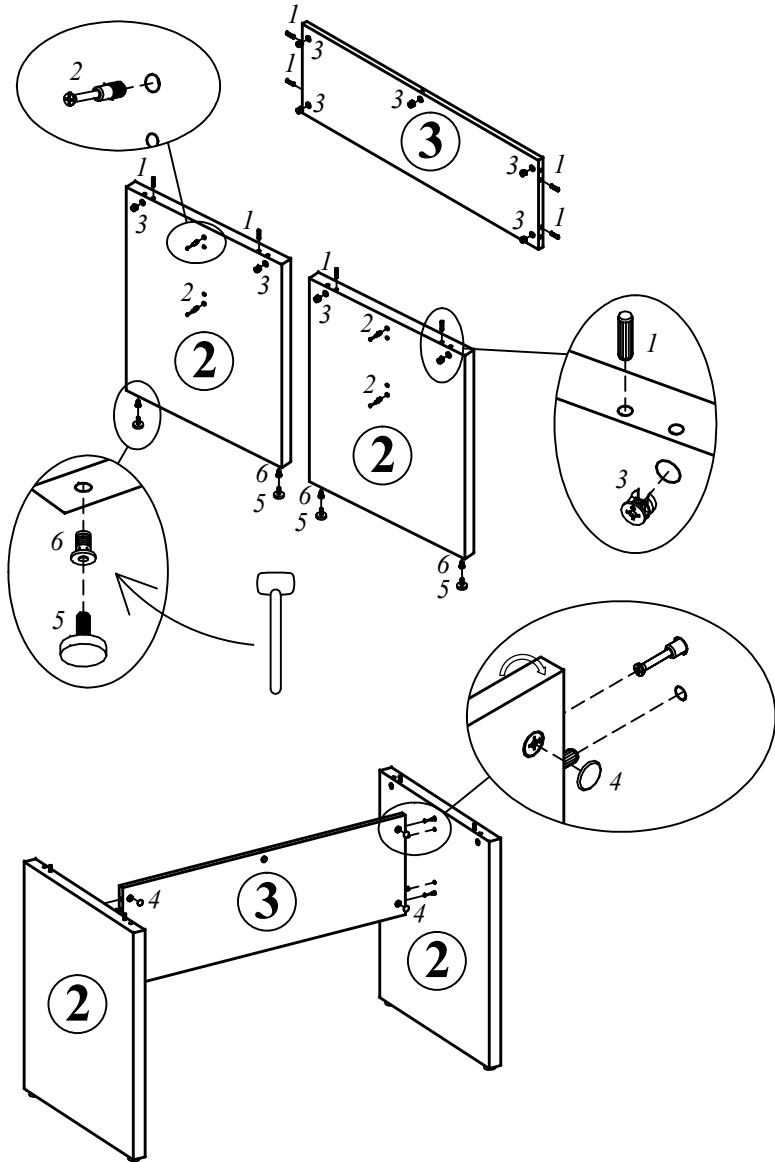


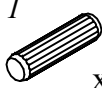
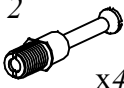


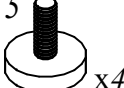
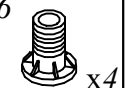
B 305
1000x800x38

B 302; B 304; B305

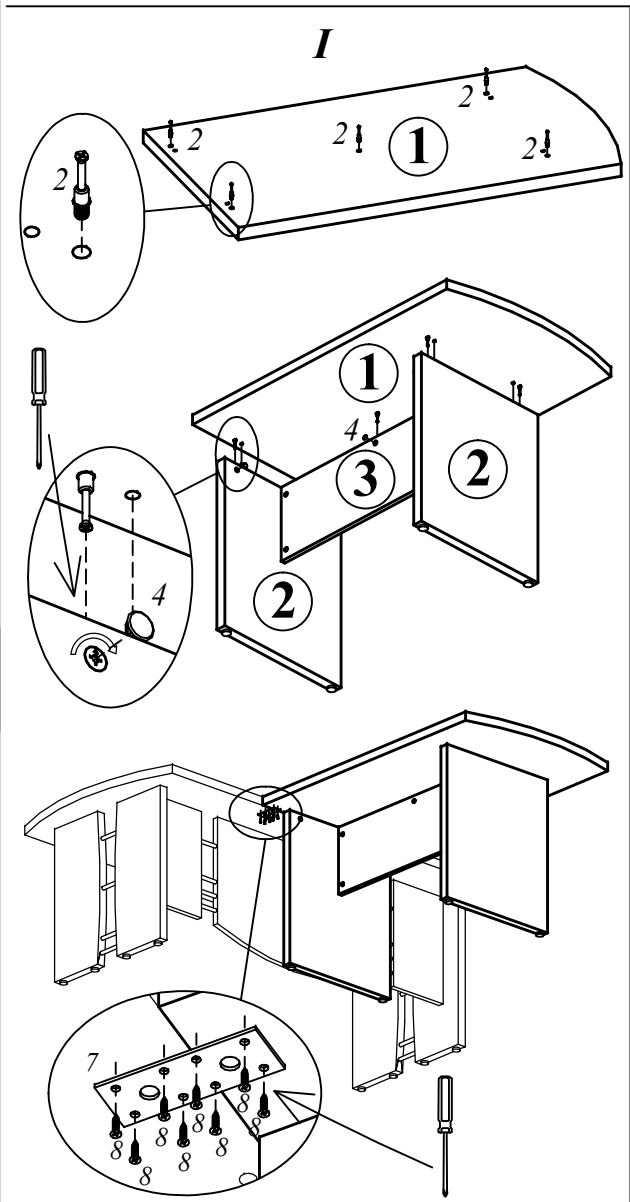
	<i>B 302</i> <i>B 304</i>	<i>B 305</i>
7		x4
8		x32

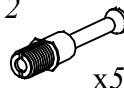

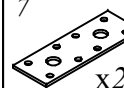

B 601



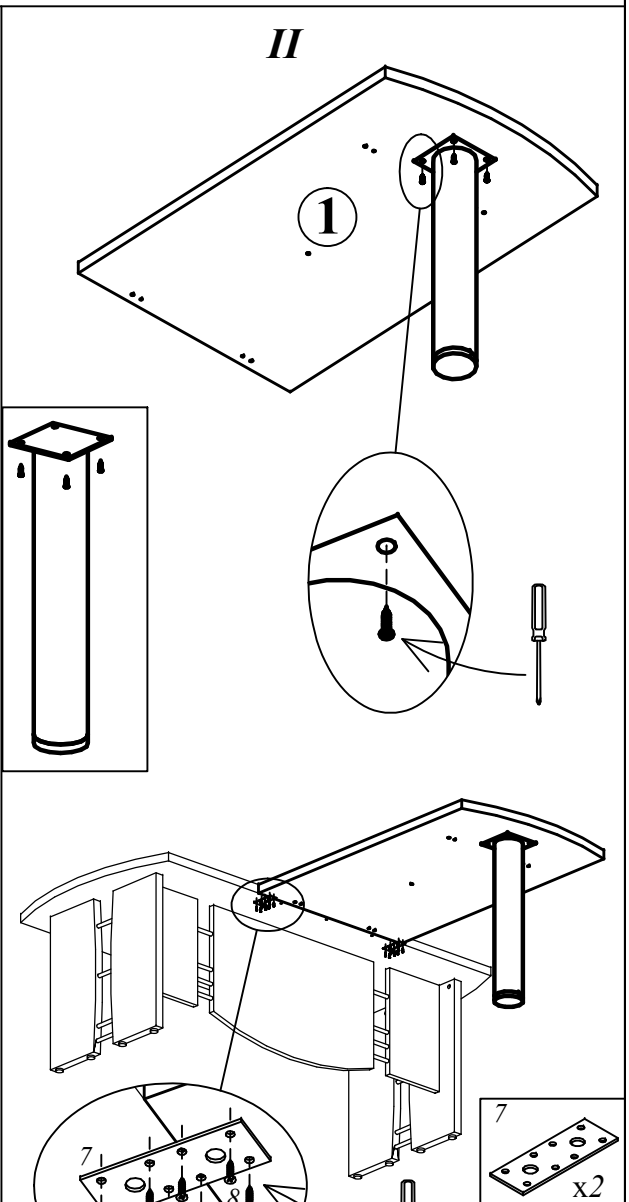
- 1  x8
- 2  x4
- 3  x9
- 4  x4
- 5  x4
- 6  x4


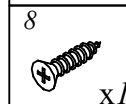
B 302; B 304; B 305



- 2  x5
- 4  x5
- 7  x2
- 8  x16

II



- 7  x2
- 8  x16