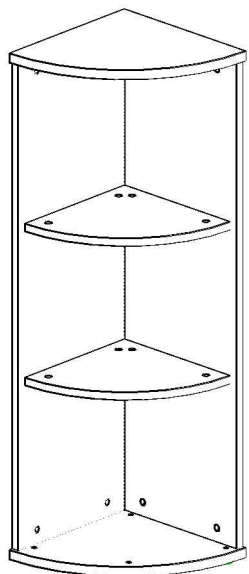
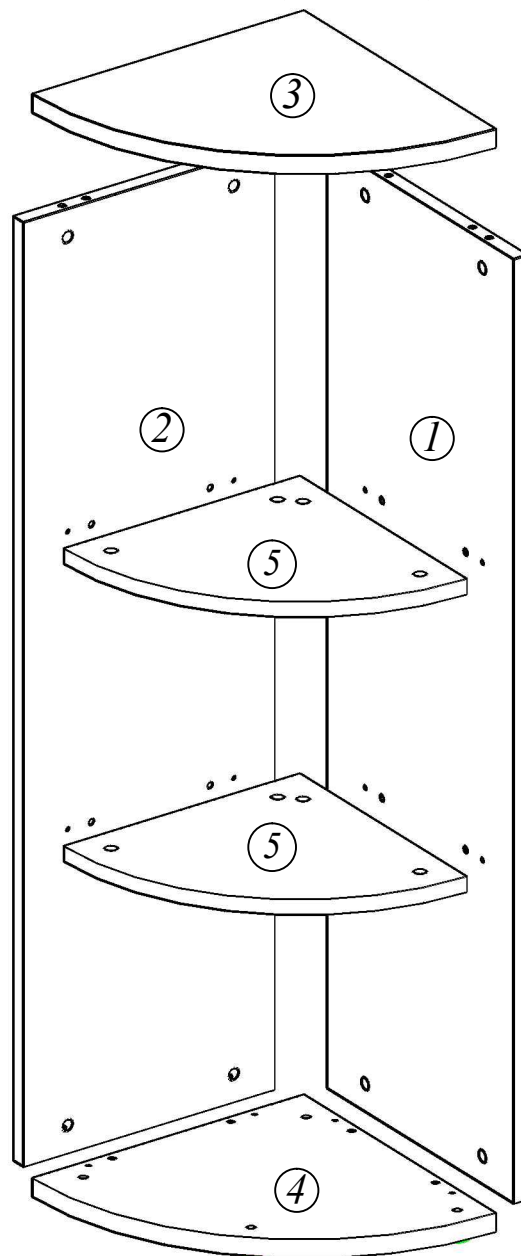


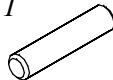
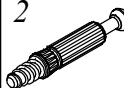
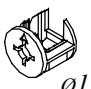
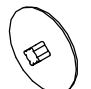
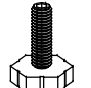
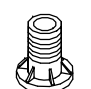

YC-2 (US-2)

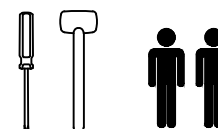


YC-2
(US-2)



YC-2 (US-2) - 365x365x1200

1		x16
2		x16
3	 ø15	x16
4		x16
5		x4
6		x4
7	 ø10	x4

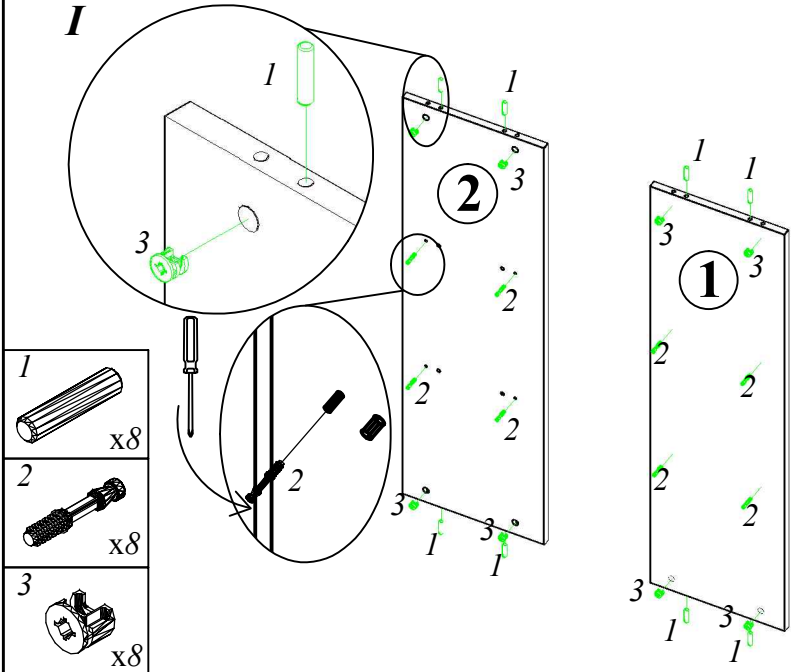


EAC

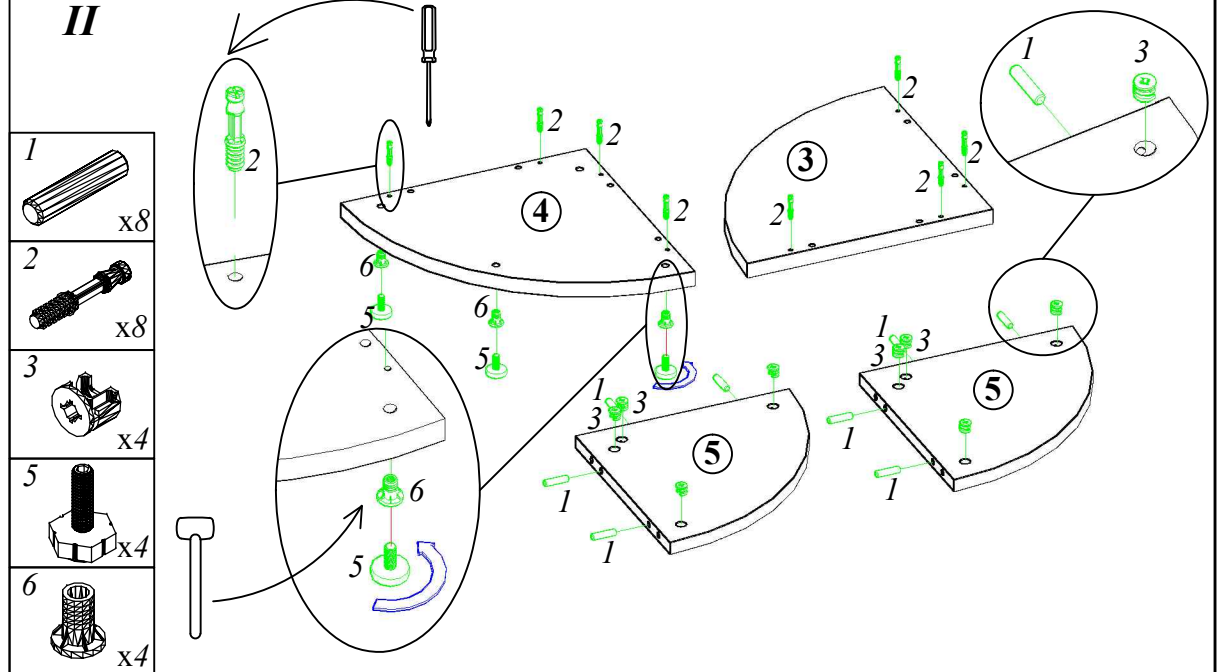
YC-2 (US-2)

2

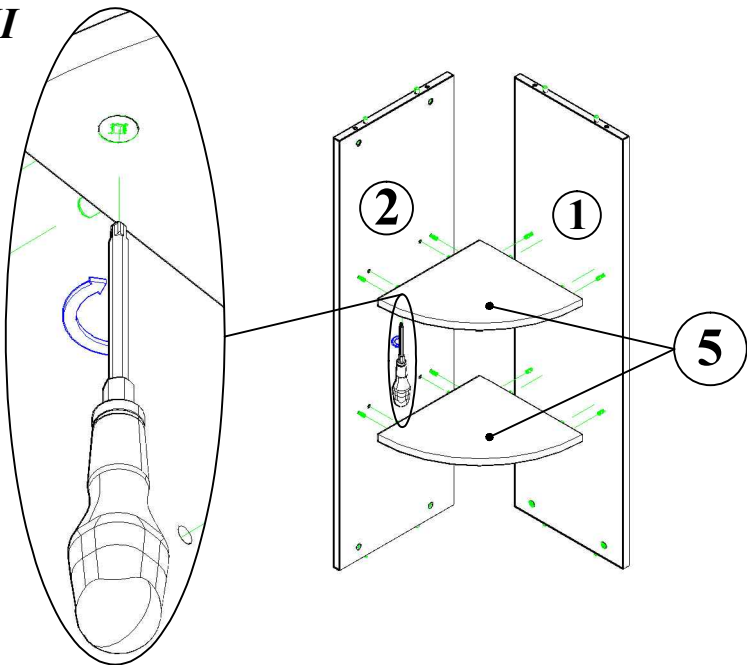
I



II



III



IV

